

Alphalite

LED AREA LUMINAIRE

DESCRIPTION

The ASB Series LED Area Luminaire delivers extreme intensity and high lumen output for area light application. Superior color, long life and high efficiency allows this luminaire to outperform traditional HID luminaires. The rugged housing and dedicated LED design offers advanced thermal management and protection against outdoor and semi-outdoor environments. Lighting quality and intensity provides benefits for safety and security.

APPLICATION

The ASB solution is ideal for parking structures, auto dealerships, recreational spaces, roadways, and outdoor aisles.

SPECIFICATION FEATURES

Construction

Rugged die-cast aluminum housing withstands outdoor environments. Outer surface treated with durable powder coating to provide resistance to corrosion, rust, weathering, and UV degradation. Rated IP66. Performance-engineered, integral heat dissipation fins provides superior thermal management for long life and reliability. Shorting cap come in standard.

Mounting

Versatile platform includes different mounting options, including: Adjustable Slip-fitter, round pole mount, square pole mount, and adjustable trunion U-bracket.

Controls

Suitable for use with photocell and daylight harvesting to achieve deeper energy-savings and code compliance.



Electrical

Luminaire utilizes long life, high efficacy LEDs and a highly efficient, reliable LED driver. Operating temperatures is -22°F-130°F and 120V-277V input voltage for increased versatility.

Optics

Precision-formed optical lens system reduces glare and improves safety and security by delivering high-efficiency illumination with precise optical distribution. Type III distribution comes standard.

Certifications / Regulatory

UL/cUL listed. All components used have UL approval.

Warranty

5-year limited warranty. See complete warranty terms for details.

Quick Ship Product

ASB-150/850
ASB-200/850

ORDERING INFORMATION

Sample Number: **ASB-150/850**

ASB	150	850	(Blank)	(Blank)	(Blank)	(Blank)
Series	Lumen Package	CCT	Input Voltage	Beam Angle	Dimming	Finish Color
ASB - LED Area Luminaire	100 - 100W 150 - 150W 200 - 200W 300 - 300W <i>*See energy data for details</i>	840 - 4000K 850 - 5000K	(Blank) - 100V-277V HV - 277V-480V <i>*See notes below</i>	(Blank) - Type III T2 - Type II T4 - Type IV T5 - Type V <i>*See notes below</i>	(Blank) - 0-10V Continuous Dimming	(Blank) - Dark Bronze WH - White BLK - Black SLV - Silver <i>*See notes below</i>

NOTES

Input Voltage: Custom input voltage available. Contact your Alphalite representative for added cost, quantities and lead times.

Beam Angle: Require lens changed for different beam angle. (100W package require 1 lens, 150W and 200W package require 2 lens, and 300W package require 4 lens).

Finish Color: Custom finish color available. Contact your Alphalite representative for added cost, quantities and lead times.

Options

Mounting

ASF - Adjustable Slip-fitter
RPM - Round Pole Mount
SPM - Square Pole Mount
AUB - Adjustable Trunion U-bracket

Dimming/ Controls

SC - Shorting cap (included)
PC - Photocell
OS - Integrated step dimming PIR occupancy sensor (Requires OS-618-RC101 Sensor Configuration Tool, Not Included)



Specifications and dimensions subject to change without notice.

10715 Springdale Ave, Ste 4, Santa Fe Springs, CA 90670

Tel: 888.287.9228

Fax: 888.258.9183

www.alphalite.com

SUMMARY

Input Voltage	100V-277V
Input Power	See energy data for details
Power Factor	> 0.95
THD (Max.)	20%
Efficacy	> 122 LPW
Delivered Lumens	See energy data for details
Controls/ Dimming	0-10V dimming option available.
CRI	> 80
CCT	4000K, 5000K
Operating Temp.	-22°F ~ 130°F (-30°C ~ +54°C)
Rated Life	50,000 hours
IP Grade	IP65

ENERGY PERFORMANCE DATA

Part No.	Rated Wattage (W)	Delivered Lumens (lm)	Efficacy (lm/W)
ASB-100	100	12,219	122
ASB-150	150	19,164	128
ASB-200	200	24,233	122
ASB-300	300	38,282	125

MOUNTING INFORMATION

Adjustable Slip-fitter



Round Pole Mount



Square Pole Mount



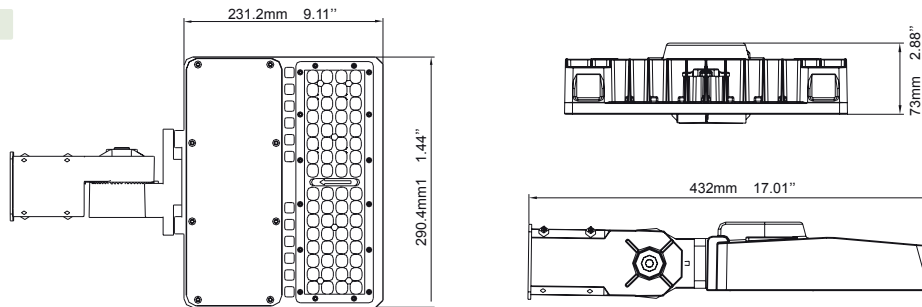
Adjustable Trunion U-bracket



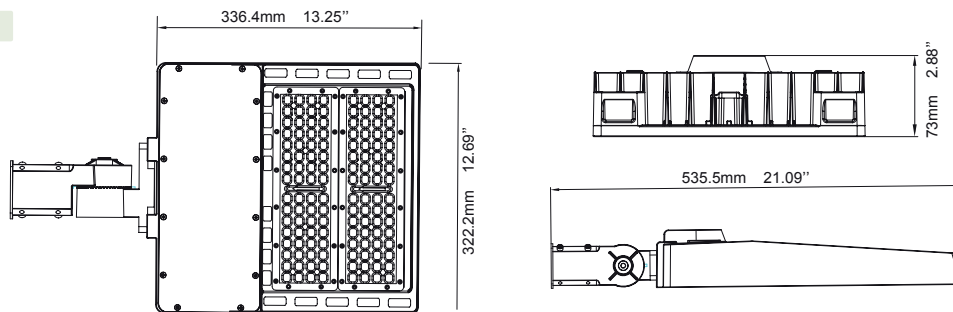
PHYSICAL PARAMETERS

DIMENSION

ASB-100



ASB-150, and 200



ASB-300

