

Alphalite

MMS MICROWAVE SENSOR - DMMS-605V

MMS Series
Microwave Occupancy
Sensor

PROJECT NAME

CATALOG NO.

TYPE

DATE

NOTE

DESCRIPTION

DMMS-605V is an innovative and active motion detectors with HF system 5.8GHz. Motion can be detected through plastic, glass and thin non-metal materials.

This sensor is particularly designed for the lights which have limited space, for examples, LED tri-proof lights and LED battens. The mini motion detector is separated from power part of sensor, it will be easier to fix motion detector on the surface of tri-proof light and hidden the power part behind it. As the height of detector is only 0.5" Max., there is no shadow when the lamps switch on.



SPECIFICATION FEATURES

Benefits

- Unique split design makes it is suitable to fix within lamps which have limited space.
- Automatic dimming when used in combination with 1-10V dimmable LED drivers or ballasts.
- Built-in adjustable daylight sensor.
- 1-10V interface can match up with Alphalite stand-alone daylight sensor DSMS-01 and achieve daylight harvesting. Detection area, time delay and daylight threshold can be precisely set via DIP switch.
- Using pluggable design between motion detector and power part, easy to reinstall or maintain.

ORDERING INFORMATION

Available with the following Alphalite products:

RXL Series - LED Linear Retrofit Kit



ILT-CB Series - LED LED Volumetric troffer -Center Diffuser



LVT Series - LED Linear Vapor Tight Luminaire



Alphalite

Specifications and dimensions subject to change without notice.

10715 Springdale Ave., #4, Santa Fe Springs, CA 90670

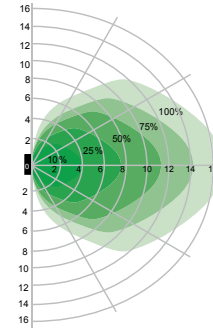
Tel: 888.287.9228

Fax: 888.258.9183

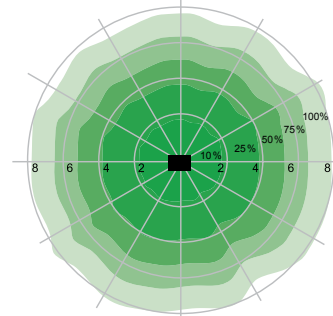
www.alphalite.com

SUMMARY

Operating voltage	120-277Vac, 50/60Hz
Rated load	400W @120Vac, 800W@220-277Vac (inductive)
HF system	5.8GHz±75MHz, ISM wave band
Transmitting power	<0.5mW
Power consumption	<1W (standby)
Detection zone	8m (@3m mounting height)
Detection sensitivity	25%/ 50%/ 75%/ 100%
Hold time	5s/ 30s/ 90s/ 3min/ 20min/+∞
Daylight sensor	5lux/15lux/30lux/50lux/100lux/150lux/Disable
Stand-by period	0s/5s/5min/10min/30min/1h/+∞
Stand-by dimming level	10%/20%/30%/50%
Mounting height	10m Max.
Motion detection	0.5~3m/s
Detection angle	150°(wall installation) 360°(ceiling installation)
Operating temperature	-25°C~60°C
IP rating	IP20



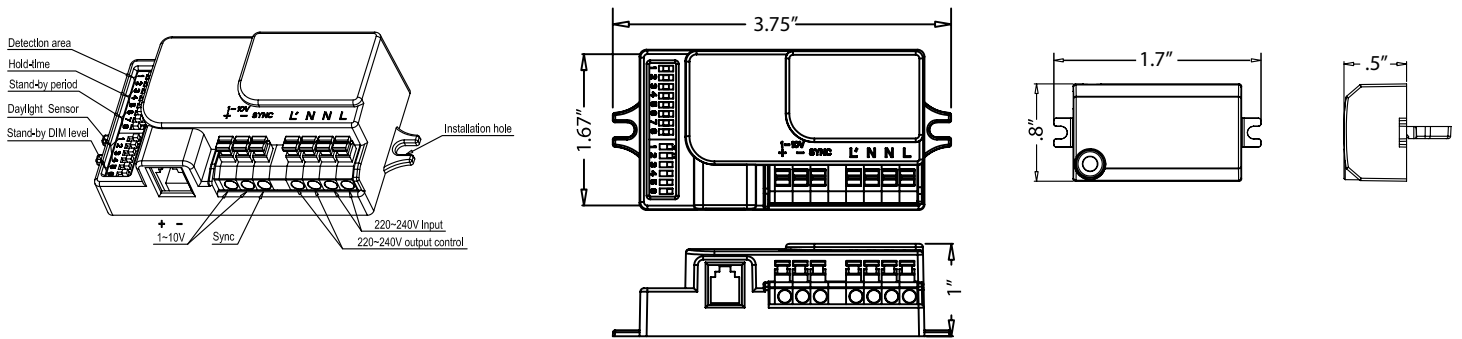
Wall mounting pattern (Unit: m)
Suggested installation height: 1-1.8m (39" -71")



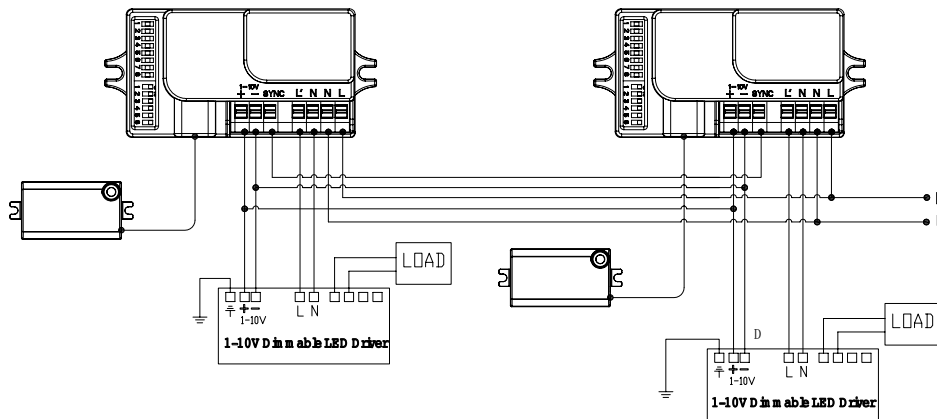
Ceiling mounting pattern (Unit: m)
Suggested installation height: 2.5-8m (98" -315")

PHYSICAL PARAMETERS

DIMENSION



WIRING DIAGRAM



DETECTION AREA:

Detection area can be reduced by selecting the combination on the DIP switches to fit precisely each application .

		1	2	
ON ↑ 	I	ON	ON	100%
	II	ON	-	75%
	III	-	ON	50%
	IV	-	-	25%

HOLD TIME:

Refers to the time period the lamp remains at 100% illumination after no motion detected.

		3	4	5	
ON ↑ 	I	ON	ON	ON	5S
	II	-	ON	ON	30S
	III	ON	-	ON	90S
	IV	-	-	ON	3min
	V	ON	ON	-	20min
	VI	-	-	-	+∞

STAND-BY PERIOD:

Refers to the time period the lamp remains at a low light level before it completely switches off in the long absence of people. When set to Disable mode, the low light is maintained until motion is detected.

		6	7	8	
ON ↑ 	I	ON	ON	ON	0S
	II	-	ON	ON	5S
	III	ON	-	ON	5min
	IV	-	-	ON	10min
	V	ON	ON	-	30min
	VI	-	ON	-	1h
	VII	-	-	-	+∞

STAND-BY DIMMING LEVEL:

The low light level you would like to have after the hold time in the long absence of people.

		1	2	
ON ↑ 	I	ON	ON	50%
	II	-	ON	30%
	III	ON	-	20%
	IV	-	-	10%

DAYLIGHT SENSOR:

The sensor can be set to only allow the lamp to illuminate below a defined ambient brightness threshold.

When set to Disable mode, the daylight sensor will switch on the lamp when motion is detected regardless of ambient light level.

100lux, 100lux,50lux: twilight operation, 10lux, 5lux: darkness operation only. Note that daylight sensor is active only when lamp totally switches off.

		3	4	5	6	
ON ↑ 	I	ON	ON	ON	ON	5Lux
	II	-	ON	ON	ON	15Lux
	III	ON	-	ON	ON	30Lux
	IV	-	-	ON	ON	50Lux
	V	ON	ON	-	ON	100Lux
	VI	ON	ON	ON	-	150Lux
	VII	-	-	-	-	Disable

