

# Alphalite

PROJECT NAME

CATALOG NO.

TYPE

DATE

NOTE

## MMS MICROWAVE SENSOR - DMMS-031V

**MMS Series**  
Microwave Occupancy  
Sensor

### DESCRIPTION

The DMMS-031V sensor is innovative and active motion detectors with HF system 5.8GHz. Motion can be detected through plastic, glass and thin non-metal materials except the higher mounting height 50 ft Max. The sensors allow energy saving without compromising comfort. When used in combination with 1-10V dimmable LED drivers or ballasts, they can achieve 3-step dimming function, which is perfect for use in some areas that requires a light change notice before totally switch off. Also, the 1-10V interface in the sensors can match up with Alphalite stand-alone daylight sensor DSMS-01, and implement daylight harvesting, means the lighting system has automated controls that either turn off or dim artificial light in response to the available daylight in the space..



### SPECIFICATION FEATURES

#### Benefits

- Automatic dimming when used in combination with 1-10V dimmable LED drivers or ballasts.
- Built-in adjustable daylight sensor.
- 1-10V interface can match up with Alphalite stand-alone daylight sensor DSMS-01 and achieve daylight harvesting.
- Detection area, time delay and daylight threshold can be precisely set via DIP switch.
- Wide detection area, range up to 53 ft in diameter and mounting height 50 ft Max. suitable for warehouse use.
- Special clip for installation easy to be fixed with high bay.



Max.8M



Hold Time  
5s~30min



Mounting Height  
15m Max.



Automatic  
Dimming



5 Years  
Guarantee

### ORDERING INFORMATION

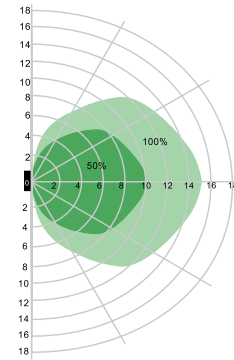
Available with the following Alphalite products:

RHX Series - LED IP65 Food Grade Rated High Bay

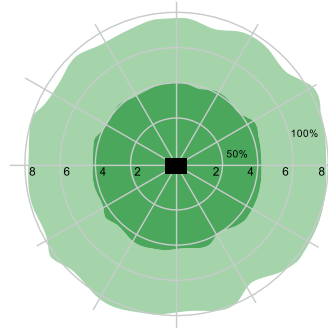


SUMMARY

Operating voltage	120-277Vac, 50/60Hz
Rated load	400W@120Vac, 800W@220-277Vac (inductive) 800W@120Vac, 1200W@220-277Vac (resistive)
HF system	5.8GHz±75MHz, ISM wave band
Transmitting power	<0.5mW
Power consumption	≤0.8W(standby), <1.5W(operation)
Detection zone	Max.(D x H): 53ft x 50ft
Detection sensitivity	100% / 50%
Hold time	5s / 30s / 90s / 3min / 20min / 30min / +∞
Daylight sensor	50lux / 100lux / 200lux / Disable
Stand-by period	5s / 5min / 10min / 30min / 1h / Disable
Stand-by dimming level	10% / 20% / 30% / 50%
Mounting height	15m Max.
Motion detection	0.5~3m/s
Detection angle	150°(wall installation) 360°(ceiling installation)
Operating temperature	-35°C~70°C



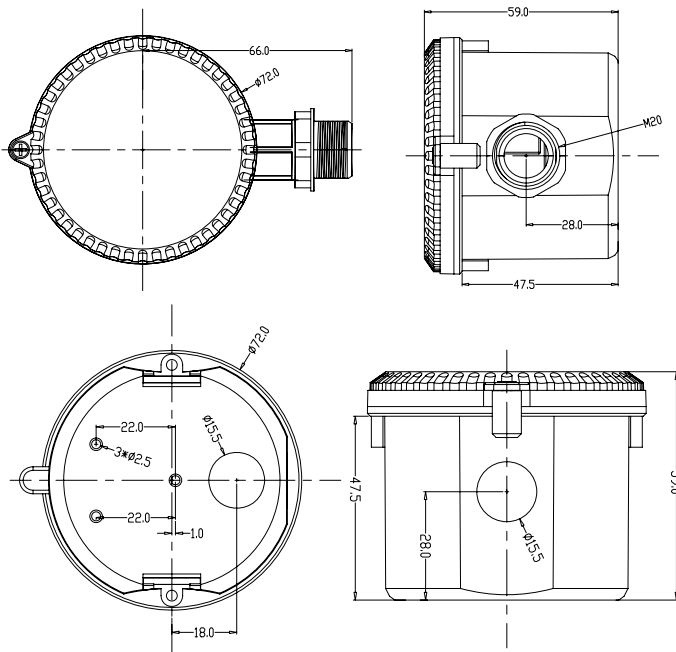
Wall mounting pattern (Unit: m)



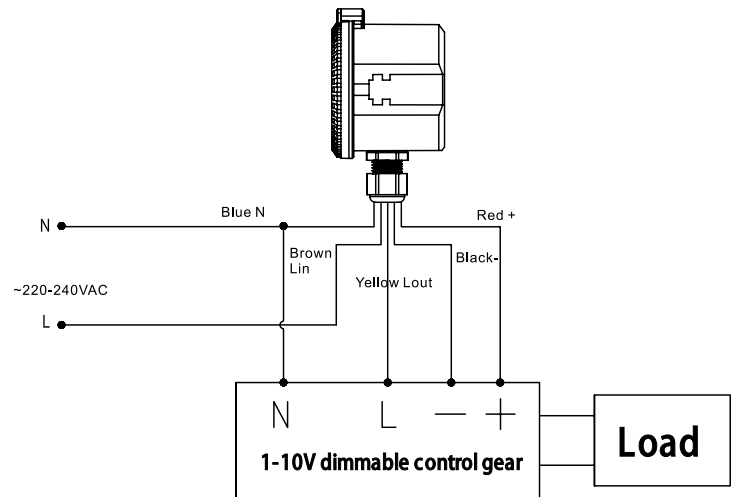
Ceiling mounting pattern (Unit: m)

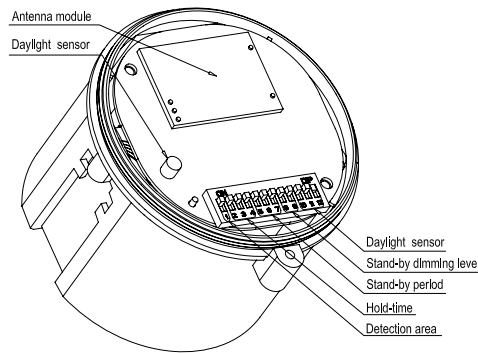
PHYSICAL PARAMETERS

DIMENSION



WIRING DIAGRAM





**DETECTION AREA:**

Detection area can be reduced by selecting the combination on the DIP switches to fit precisely each application .

ON ↑ [DIP Switch]		1	
	I	ON	100%
	II	-	50%

**HOLD TIME:**

Refers to the time period the lamp remains at 100% illumination after no motion detected.

ON ↑ [DIP Switch]		2	3	4	
	I	ON	ON	ON	5S
	II	-	ON	ON	30s
	III	ON	-	ON	90s
	IV	-	-	ON	3min
	V	ON	ON	-	20min
	VI	-	-	-	30min

**STAND-BY PERIOD:**

Refers to the time period the lamp remains at a low light level before it completely switches off in the long absence of people. When set to Disable mode, the low light is maintained until motion is detected.

ON ↑ [DIP Switch]		5	6	7	
	I	ON	ON	ON	+∞
	II	-	ON	ON	60min
	III	ON	-	ON	30min
	IV	-	-	ON	10min
	V	ON	ON	-	5min
	VI	-	-	-	5s

**STAND-BY DIMMING LEVEL:**

The low light level you would like to have after the hold time in the long absence of people.

ON ↑ [DIP Switch]		8	9	
	I	ON	ON	50%
	II	-	ON	30%
	III	ON	-	20%
	IV	-	-	10%

**DAYLIGHT SENSOR:**

The sensor can be set to only allow the lamp to illuminate below a defined ambient brightness threshold.  
 When set to Disable mode, the daylight sensor will switch on the lamp when motion is detected regardless of ambient light level.  
 200lux: twilight operation, 50lux, 30lux: darkness operation only.  
 Note that daylight sensor is active only when lamp totally switches off.

ON ↑ [DIP Switch]		10	11	12	
	I	ON	ON	ON	Disable
	II	-	ON	-	200lux
	III	ON	-	-	100lux
	IV	-	-	-	50lux

